

Timken Blue Brute™ Bearings



**Tomorrow's Technology Today.**

[www.bsc.com.au](http://www.bsc.com.au)

## Pre Assembled Units, No Set-Up Required

Today's industrial operations depend on housed unit bearings to keep things moving – particularly in demanding conditions and highly contaminated environments.

When your equipment faces harsh environments, you need roller bearing housed units rugged enough to outlast tough conditions and deliver exceptional performance.

- Assembled to order
- Double row spherical roller bearing accepts misalignment
- Choice of 7 primary seals in any combination
- 2-bolt and 4-bolt pillow block available
- Housings can be special ordered with Nickel, Zinc or Urethane coating
- Machined feet for one-time shaft alignment and easy replacement
- Housings manufactured from 75,000 psi tensile cast steel
- External nut eliminates axial movement
- Easily converted to fixed or expansion in the field
- Integral seals run on extended inner ring not on the shaft providing a perfect seal and no shaft wear.
- Optional screw on external seal covers
- Purge relief valve

### More Benefits

- Increased bearing service life
- Extended maintenance intervals
- Lower running temperature
- Lower vibration and noise levels
- Greater throughput of machine
- Improved product quality
- Simplified / faster installation procedures
- No adjustment of bearing clearance for eccentric lock

### Interchanges

Our housings will drop into existing bolt centres and base to centre height with no modifications required.

Interchanges with:  
 SN / SAF Split Cap Units  
 Browning  
 Morse  
 Dodge  
 Link-Belt  
 Rexnord  
 SKF  
 Sealmaster



## Timken Blue Brutes are supplied Pre-Assembled



Timken Blue Brutes are supplied pre-assembled, so no set up required. Plus no risk of contamination and no feeler gauges required.



Standard assemblies require precision assembly techniques including using feeler gauges to set the correct bearing radial internal clearance for optimum life. Difficult to do in the field and the high risk of contamination in harsh environments.

## Timken Blue Brute™ Locking Configurations

Perhaps you are replacing an existing bearing and you already know what kind of locking style you need. Or maybe you're looking for a more durable bearing than what you've been using. Either way, you'll be glad BSC offer three locking styles.



### EC Series - Eccentric Lock

- Heavy-duty
- Increased shaft holding power
- Reduced shaft damage under extreme shock load
- Designed not to release in reversing applications



### TA/DV Series - Tapered Adapter Lock

- Extra heavy-duty
- 360 degrees shaft holding
- Accommodates undersized shafting



### V-Lock Series - Double Taper Lock (U.S. Pat. No. 7344313)

- Extreme heavy-duty
- 360 degrees shaft holding
- Designed to eliminate over-tightening
- Mechanical withdrawal for easier removal
- Larger bearings and higher load rating compared to competitive products having same bore size



## Timken Blue Brute™ Seal Options

An ineffective seal can quickly ruin any bearing and suddenly increase the total cost and inconvenience of your purchase. Think of seals as inexpensive insurance to protect your bearing investment. Recognising the importance of well designed seals, 17 seal choices are available.

- Double lip: nitrile rubber (B) and Viton® (C)
- Triple lip: nitrile rubber (M) standard, Viton® (N) and urethane (O)
- High-speed labyrinth Teflon (T)
- Mechanical labyrinth steel (ML)
- Closed end covers (Urethane or Steel)
- Open end covers (Urethane or Steel)
- Contamination collar (CC)
- Flange block backing plates (UFP and CFP)
- Piloted flange backing plates (Y)

### BSC Standard Seal

Teflon Seal "T" Contacting, Self Purging

The Teflon floating seal consists of a Teflon ring pressed onto the inner ring of the bearing. This Teflon ring floats between two pieces of formed steel. The seal was developed for high speed applications involving dirty conditions or moisture effected areas. Teflon sustains high temperature up to 260°C and is impervious to almost all chemicals.

### Secondary Seals

In many circumstances bearings fail due to premature seal failure. This is usually the result of a tough operating environment or over lubrication. A secondary sealing cover has been developed that offers an extra sealing barrier and protection to the primary seal. These economical covers are easily outfitted on any Timken Blue Brute bearing unit. They are ordered as separate parts and are not shown in the bearing part number.



### Closed End Covers



### Open End Covers



## Timken Blue Brute™ Housing Styles

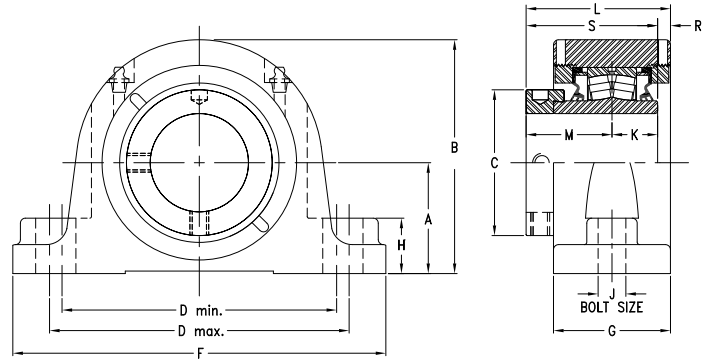
Choose the housing configuration that fits your need. For your convenience, Timken Blue Brute offers interchange solutions for hundreds of other housed units that simply don't offer the strength of these Timken solid-block designs.

- Two-Bolt Pillow Block
- Four-Bolt Pillow Block
- Flange Block
- Piloted-Flange Cartridges
- Take-Up Block
- Cartridge Block



## QMSN SN Style 2-Bolt

QMSN SN Style 2-Bolt Pillow Block Dimensions (mm)

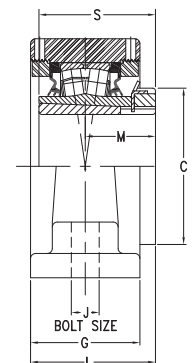
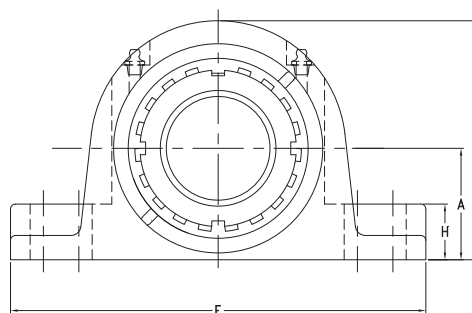
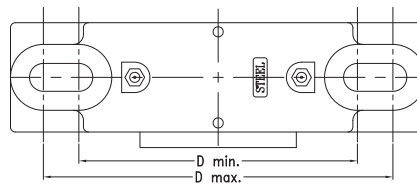


BEARING PART NUMBER	SHAFT SIZE	BEARING NO	A	B	C	E <sub>MIN</sub>	E <sub>MAX</sub>	F	G	H	J	K	L	M	R	S	Wt (lbs)
QMSN09J040ST	40mm	22209	60	111	67	159	175	205	62	35	12	25	79	48	6	73	23
QMSN09J111ST	1-11/16"																
QMSN09J112ST	1-3/4"																
QMSN09J045ST	45mm	22210	70	136	70	183	216	254	68	25	16	25	82	48	9	73	28
QMSN10J115ST	1-15/16"																
QMSN10J200ST	2"																
QMSN10J050ST	50mm	22211	70	141	76	183	216	254	68	25	16	29	85	51	6	80	29
QMSN11J203ST	2-3/16"																
QMSN11J204ST	2-1/4"																
QMSN11J055ST	55mm	22213	80	157	92	196	235	275	74	35	16	31	91	55	5	86	35
QMSN13J060ST	60mm																
QMSN13J207ST	2-7/16"																
QMSN13J208ST	2-1/2"	22215	95	183	102	241	279	316	76	34	20	32	98	60	6	92	46
QMSN13J065ST	65mm																
QMSN15J211ST	2-11/16"																
QMSN15J212ST	2-3/4"	22218	100	200	121	279	292	345	86	39	20	37	109	66	7	103	56
QMSN15J070ST	70mm																
QMSN15J215ST	2-15/16"																
QMSN15J300ST	3"	22218	112	212	121	279	292	345	86	39	20	37	109	66	7	103	56
QMSN15J075ST	75mm																
QMSN18J303ST	3-3/16"																
QMSN18J304ST	3-1/4"	22218	112	212	121	290	327	380	86	39	24	37	109	66	7	103	56
QMSN18J080ST	80mm																
QMSN18J085ST	85mm																
QMSN18J307ST	3-7/16"	22220	125	241	152	319	366	410	101	50	24	41	126	75	9	116	79
QMSN18J308ST	3-1/2"																
QMSN18J090ST	90mm																
QMSN20J311ST	3-11/16"	22222	140	255	160	332	365	410	105	39	24	47	147	94	6	141	79
QMSN20J312ST	3-3/4"																
QMSN20J315ST	3-15/16"																
QMSN20J400ST	4"	22222	150	265	160	367	400	445	105	49	24	47	147	94	6	141	78
QMSN20J100ST	100mm																
QMSN22J110ST	110mm																
QMSN22J407ST	4-7/16"	22226	150	282	175	402	435	500	113	49	30	58	151	95	2	153	88
QMSN22J408ST	4-1/2"																
QMSN22J115ST	115mm																
QMSN26J125ST	125mm	22226	150	282	175	402	435	500	113	49	30	58	151	95	2	153	88
QMSN26J415ST	4-15/16"																
QMSN26J500ST	5"																
QMSN26J130ST	130mm																

# TAPN 2-Bolt Pillow Blocks

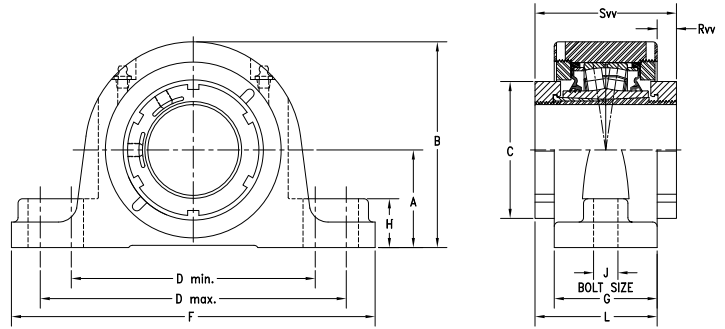
TAPN SN Style 2-Bolt Pillow Block Dimensions (mm)

BEARING PART NUMBER	SHAFT SIZE	BEARING NO	A	B	C	D <sub>MIN</sub>	D <sub>MAX</sub>	F	G	H	J	L	M	S	Wt (lbs)
TAPN11K115ST	1-15/16"	22211	70	135	75	165	221	251	60	32	16	66	36	59	17
TAPN11K200ST	2"														
TAPN11K050ST	50mm														
TAPN13K203ST	2-3/16"	22213	80	155	85	183	234	262	69	35	16	74	40	65	23
TAPN13K204ST	2-1/4"														
TAPN13K060ST	60mm														
TAPN15K207ST	2-7/16"	22215	80	161	98	200	245	276	69	29	16	78	44	73	27
TAPN15K208ST	2-1/2"														
TAPN15K065ST	65mm														
TAPN17K215ST	2-15/16"	22217	95	186	110	241	279	321	76	34	19	88	50	82	33
TAPN17K300ST	3"														
TAPN17K075ST	75mm														
TAPN20K307ST	3-7/16"	22220	112	217	130	276	327	368	87	39	22	102	58	97	65
TAPN20K308ST	3-1/2"														
TAPN20K090ST	90mm														
TAPN22K315ST	3-15/16"	22222	125	241	145	318	368	406	101	51	22	114	63	105	84
TAPN22K400ST	4"														
TAPN22K100ST	100mm														
TAPN26K407ST	4-7/16"	22226	150	281	165	367	400	445	128	49	25	136	72	121	136
TAPN26K408ST	4-1/2"														
TAPN26K115ST	115mm														



## QVVSN 2-Bolt Pillow Block

QVVSN SN Style 2-Bolt Pillow Block Dimensions (mm)



BEARING PART NUMBER	SHAFT SIZE	BEARING NO	A	B	C	D <sub>MIN</sub>	D <sub>MAX</sub>	F	G	H	J	L	R <sub>w</sub>	S <sub>w</sub>	Wt (lbs)
QVVSN11V115ST	1-15/16"	22211	70	136	76	183	216	254	68	25	16	85	17	102	29
QVVSN11V200ST	2"														
QVVSN11V050ST	50mm														
QVVSN12V203ST	2-3/16"	22212	70	141	80	183	216	254	68	25	16	85	17	102	29
QVVSN12V204ST	2-1/4"														
QVVSN12V055ST	55mm														
QVVSN14V060ST	60mm	22214	80	157	94	196	235	275	74	35	16	89	15	104	37
QVVSN14V207ST	2-7/16"														
QVVSN14V208ST	2-1/2"														
QVVSN14V065ST	65mm	22216	95	183	106	241	279	316	76	34	20	91	15	106	46
QVVSN16V211ST	2-11/16"														
QVVSN16V212ST	2-3/4"														
QVVSN16V070ST	70mm														
QVVSN16V215ST	2-15/16"														
QVVSN16V300ST	3"														
QVVSN16V075ST	75mm	22219	100	200	124	279	292	345	86	39	20	102	16	118	56
QVVSN19V303ST	3-3/16"														
QVVSN19V304ST	3-1/4"														
QVVSN19V080ST	80mm	22219	112	212	124	279	292	345	86	39	20	102	16	118	56
QVVSN19V085ST	85mm														
QVVSN19V307ST	3-7/16"														
QVVSN19V308ST	3-1/2"	22219	112	212	124	290	327	380	86	39	24	102	16	118	56
QVVSN19V090ST	90mm														
QVVSN22V311ST	3-11/16"														
QVVSN22V312ST	3-3/4"	22222	125	241	140	319	366	410	101	50	24	116	15	130	79
QVVSN22V100ST	100mm														
QVVSN22V315ST	3-15/16"														
QVVSN22V400ST	4"														
QVVSN26V110ST	110mm	22226	140	270	175	332	365	410	113	39	24	146	33	178	88
QVVSN26V407ST	4-7/16"	22226	150	280	175	367	400	445	113	49	24	146	33	178	88
QVVSN26V408ST	4-1/2"														
QVVSN26V115ST	115mm														
QVVSN28V125ST	125mm	22228	150	290	190	402	435	500	117	49	30	148	31	178	88
QVVSN28V415ST	4-15/16"														
QVVSN28V500ST	5"														
QVVSN28V130ST	130mm														

## NEW SOUTH WALES

**SYDNEY STATE OFFICE  
MOOREBANK**  
Phone: (02) 8706 2100

**ARNDILL PARK**  
(02) 9622 9322

**DUBBO**  
Phone: (02) 6884 5545

**GRAFTON**  
(02) 6642 2666

**SOUTH GRAFTON**  
(02) 6642 4588

**LISMORE**  
(02) 6621 2337

**NEWCASTLE**  
Phone: (02) 4903 1000

**ORANGE**  
Phone: (02) 6362 3555

**WAGGA WAGGA**  
Phone: (02) 6925 3711

**WOLLONGONG**  
(02) 4231 8500

## VICTORIA

**MELBOURNE STATE OFFICE  
CLAYTON**  
Phone: (03) 9560 3222

**BALLARAT**  
Phone: (03) 5337 6001

**DANDENONG**  
Phone: (03) 9794 5624

**GEELONG**  
Phone: (03) 5272 2951

**SHEPPARTON**  
Phone: (03) 5821 4911

**SOMERTON**  
Phone: (03) 9308 7000

**SUNSHINE**  
Phone: (03) 9311 4138

**SWAN HILL**  
Phone: (03) 5032 9444

**WODONGA**  
Phone: (02) 6024 3722

## TASMANIA

**HOBART DERWENT PARK**  
Phone: (03) 6272 4344

**BURNIE**  
Phone: (03) 6431 5044

## QUEENSLAND

**BRISBANE STATE OFFICE  
NORTHGATE**  
Phone: (07) 3866 8333

**ARCHERFIELD**  
Phone: (07) 3277 4488

**BUNDABERG**  
Phone: (07) 4153 3220

**CABOOLTURE**  
Phone: (07) 5495 6266

**CAIRNS**  
Phone: (07) 4225 3100

**MACKAY**  
Phone: (07) 4952 1399

**ROCKHAMPTON**  
Phone: (07) 4927 2033

**SOUTHPORT**  
Phone: (07) 5532 4888

**TINGALPA**  
Phone: (07) 3390 7099

**TOOWOOMBA**  
Phone: (07) 4634 4133

**TOWNSVILLE**  
Phone: (07) 4779 0500

**WACOL**  
Phone: (07) 3271 3444

**YATALA North**  
Phone: (07) 3807 4971

## WESTERN AUSTRALIA

**PERTH STATE OFFICE  
WELSHPOOL**  
Phone: (08) 9251 4444

**O'CONNOR**  
Phone: (08) 9337 3000

**OSBORNE PARK**  
Phone: (08) 9445 1811

## SOUTH AUSTRALIA

**ADELAIDE (WINGFIELD)**  
Phone: (08) 8344 0800

**LONSDALE**  
Phone: (08) 8326 5459



**Tomorrow's Technology Today.**